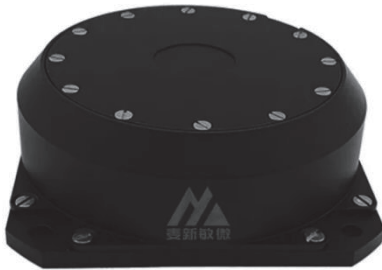


G-F98HA: MEDIUM AND HIGH PRECISION FIBER OPTIC GYROSCOPE

■ PRODUCT DESCRIPTION

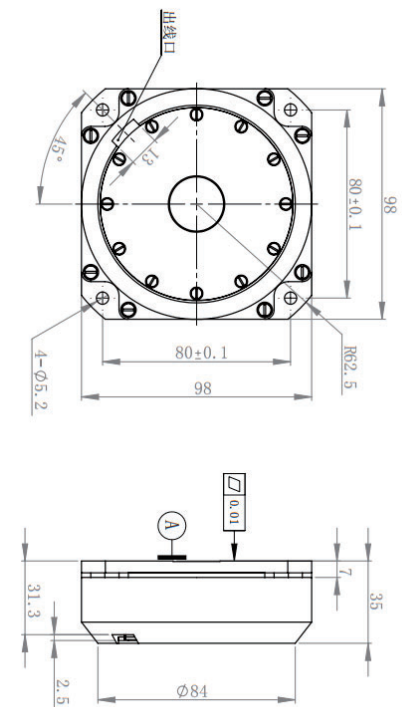


As a new type of all-solid state gyro, fiber optic gyroscope has the advantages of fast start, wide measurement range and high reliability. G-F98HA uniaxial medium and high precision fiber optic gyroscope can be applied to the application requirements of high precision inertial navigation system, such as land positioning orientation, vehicle north finding instrument, airborne navigation posture and Marine gyro. The specification is only applicable to G-F98HA type products, including performance indicators, technical conditions, external dimensions and installation and use. Among them, the technical conditions include the environmental range, electrical performance and physical characteristics of the product.

■ PRODUCT MAIN SPECIFICATION

	G-F98HA-A	G-F98HA-B	G-F98HA-C	Unit
Zero bias stability	≤0.015	≤0.015	≤0.010	°/hr (1σ,10s)
Stabilization times s	<10	<10	<10	
Zero bias repeatability	≤0.015	≤0.015	≤0.010	°/hr (1σ)
Full-temperature zero-bias repeatability	≤0.10	≤0.05	≤0.05	°/hr
Random walk coefficient	≤0.002	≤0.001	≤0.001	°/√hr
The Scale factor of Nonlinearity	≤10	≤10	≤10	ppm (1σ)
The Scale factor of Repeatability	≤20	≤10	≤10	ppm (1σ)
Full-temperature scale factor repeatability	≤200	≤100	≤80	ppm
Dynamic range	±500			°/s
Magnetic field sensitivity	≤0.02			°/hr/Gs
Working temperature	-40~+70			°C
Storage temperature	-50~+70			°C

■ PRODUCT DIMENSION



SIZE: Φ98*37.5MM

■ PRODUCT APPLICATION

- Fiber optic gyroscope system
- Petroleum geological logging
- Underwater navigation
- North finding instrument
- Navigation GPS
- Marine survey
- Ship navigation attitude measurement
- Angle control of various construction machinery
- Stabilization platform equipment
- Unmanned aerial vehicles (UAV)
- Satellite solar antenna positioning