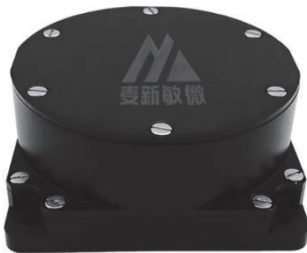


G-F70HB: MEDIUM AND HIGH PRECISION FIBER OPTIC GYROSCOPE

■ PRODUCT DESCRIPTION

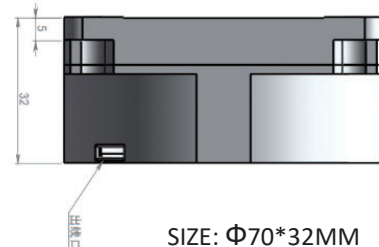
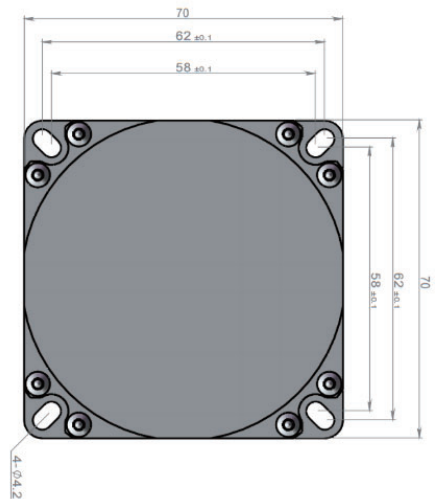


As a new type of all-solid state gyro, fiber optic gyroscope has the advantages of fast start, wide measurement range and high reliability. G-F70HB uniaxial medium and high precision fiber optic gyroscope can be applied to the application requirements of high precision inertial navigation system, such as land positioning orientation, vehicle north finding instrument, airborne navigation posture and Marine gyro. The specification is only applicable to G-F70HB type products, including performance indicators, technical conditions, external dimensions and installation and use. Among them, the technical conditions include the environmental range, electrical performance and physical characteristics of the product.

■ PRODUCT MAIN SPECIFICATION

	G-F70HB -1310	G-F70HB -1550	
Zero bias stability $^{\circ}/hr (1\sigma, 10s)$	≤ 0.02	≤ 0.02	2h continuous testing, 10s smooth results
Zero bias stability $^{\circ}/hr (1\sigma, 100s)$	≤ 0.01	≤ 0.01	2h continuous testing, 100s smooth results
Stabilization time s	< 10	< 10	
Zero bias repeatability $^{\circ}/hr (1\sigma)$	≤ 0.02	≤ 0.02	6 test data calculation results
Full-temperature zero-bias repeatability $^{\circ}/hr$	≤ 0.08	≤ 0.05	
Random walk coefficient $^{\circ}/\sqrt{hr}$	≤ 0.005	≤ 0.005	
The Scale factor of Nonlinearity $ppm (1\sigma)$	≤ 10	≤ 10	normal atmospheric temperature
The Scale factor of Repeatability $ppm (1\sigma)$	≤ 10	≤ 10	normal atmospheric temperature
Full-temperature scale factor repeatability $ppm (1\sigma)$	≤ 200	≤ 60	$-40^{\circ}C \sim +60^{\circ}C$
Dynamic range $^{\circ}/s$	± 500		
Magnetic field sensitivity $^{\circ}/hr/Gs$	≤ 0.02		
Working temperature $^{\circ}C$	$-40 \sim +70$		
Storage temperature $^{\circ}C$	$-50 \sim +70$		
Vibration conditions Hz	4.2g, 20~2000		Sweep frequency vibration has no resonance

■ PRODUCT DIMENSION



SIZE: $\Phi 70 \times 32MM$

■ PRODUCT APPLICATION

- Fiber optic gyroscope system
- Petroleum geological logging
- Underwater navigation
- North finding instrument
- Navigation GPS
- Marine survey
- Ship navigation attitude measurement
- Angle control of various construction machinery
- Stabilization platform equipment
- Unmanned aerial vehicles (UAV)
- Satellite solar antenna positioning